

Development of Smart Stick for Visually Challenged People

**K.S. Dhanalakshmi^{1*}, G. Kumar Sai Reddy², M. Vineesh Reddy³, N.B. Sahul⁴,
K. Sreenath⁵, A. Azhagu Jaisudhan Pazhani⁶**

^{1*}Department of Electronics and Communication Engineering, Kalasalingam Academy of Research and Education, Virudhunagar, India. E-mail: k.s.dhanalakshmi@klu.ac.in

²Department of Electronics and Communication Engineering, Kalasalingam Academy of Research and Education, Virudhunagar, India. E-mail: kumarsaireddy.gk@gmail.com

³Department of Electronics and Communication Engineering, Kalasalingam Academy of Research and Education, Virudhunagar, India. E-mail: 9917005108@klu.ac.in

⁴Department of Electronics and Communication Engineering, Kalasalingam Academy of Research and Education, Virudhunagar, India. E-mail: 9917005119@klu.ac.in

⁵Department of Electronics and Communication Engineering, Kalasalingam Academy of Research and Education, Virudhunagar, India. E-mail: 9917005080@klu.ac.in

⁶Department of Electronics and Communication Engineering, Ramco Institute of Technology, Rajapalayam, Tamil Nadu, India. E-mail: alagujaisudhan@gmail.com

ABSTRACT

Human can able to deal with the world with the help of their senses. But an individual cannot have any control when they lack their sense organs. One of amongst is lack of vision. It made an individual completely dependent on others. However, missing the wonder of nature is a big worry in them. They always suffer to do their routine tasks like reaching their destination, meeting their dearer ones, travelling, and transporting in day-day life. They perpetual-ly need human help to accomplish these tasks. Sometimes, they didn't get help for their tasks, such moment they cannot complete their routines and works. To overcome this, we are coming to a rendezvous method and smartly guiding them to achieve their goals. With the help of modern technology, we designed a 'smart cane'. It helps the individual and guides them in the right to complete their tasks. It identifies all obstacles within the path with the help of varied sensors put in it. The microcontroller can retrieve the knowledge and pass it on as vibrations which can apprise the hurdles on the way. It is an Eco-friendly device and can influence an enormous boon for blind folks.

KEYWORDS

Smart Stick, Visually Challenged People, Arduino, PIR Sensor.

Introduction

In this modern era, technology plays a prominent role in all our life. Every achievement in technology directly or indirectly improvising our life. The technology developed from pigeons to optical fibre in communication and horse-carts to sonic planes for transport. Technology helps us in achieving many things and brought drastic changes in our lives. Apart from technology, humans are marvellous beings to gain knowledge and make wonderful achievements in this world. But they are some disabilities that drag humans away from their achievements and shield them from reaching their goals.

One of those lack of visual perception, these people struggle a lot to do their daily tasks. They cannot freely move to their favourite places and face many problems to do their jobs. People will use trained dogs to help these individuals, but such dogs are very difficult to maintain. Now, the maintenance cost of the dog has reached thousands of rupees. Generally, the afford fewer Individuals uses the traditional stick doesn't provide any help to them. Some of the technologies are present in the market, which is very expensive for purchase and maintenance.

Now, we look up to develop a prototype that can simulate their work easily. We will develop the traditional smart stick into a smart and better one with the use of technology. We embed the ultrasonic sensors and other sensors into the stick to stimulate the external environment to sense the water and flame. We implanted nano-microcontroller Arduino UNO to reduce the weight of the cane and give an immediate response to those senses. Many of the pre-existing projects used the Arduino UNO, which adds weight to the stick and individual cannot able to carry the stick

much time We are using two special sensors, namely moisture sensor, which indicates the individual about the water on the way and flame sensor which detects the flame from fire and send the responses to the Arduino UNO. The Nano-Arduino UNO module supports the respective coding, sends the output through the speaker, and makes the individual understand the type of obstacle and its distance.

Problem Statement

Nearly 37 million people are suffering vision-related problems. Among them, some of them completely lack vision. They cannot be able to complete their routine tasks in their lives. It is very difficult for them to achieve their goals and fulfil their dreams. They need someone who helps to accomplish their daily tasks and needs someone guidance to reach their destination.

Literature Survey

The smart stick is prepared for visually challenged people because they can't walk independently. By fixing the ultrasonic sensor at a 30-degree angle on a smart stick, sense any obstacles and holes in them. A moisture sensor was placed at the bottom of a stick, indicating the water level and avoiding placing the foot's small water crack on the road [1]. The stick is made up of one ultrasonic sensor and one infrared sensor. The ultrasonic sensor is used to identify the distance long-range distance, and the infrared sensor is used to identify the nearby obstacle. Arduino UNO is a microcontroller that receives signals through sensors and gives the output through a buzzer [2].

Visually challenged people will face so many difficulties by day by day on daily activities like walking, reading, socializing etc. the smart stick is designed with obstacle detection, heat detection, water detection, light detection, ir sensor, GPS and GSM modules which all are connected with their mobile which gives the alarm.[3]. When blind people want to travel to unknown places, they will face so many difficulties. The solution for this was an automated smart stick based on goggles cloud video intelligence API [4]. Visually impaired people will face so many difficulties when they want to interact with nature. The main theme of this paper was making blind people independent by making a smart stick which is going to in-built with an ultrasonic sensor and PIC microcontroller 16F877A, and output is received through a buzzer [5].

Blind people use a cane for they have contact with the environment, but this cane doesn't give all suitable information about the surrounding object; we can implement ultrasonic sensors and inform users by audio signals in the cane made it effective [6]. For visually challenged people doing their routines would be the toughest thing. To make it finer, a traditional cane is converted into an assistive cane by penetrating an infrared sensor and Arduino UNO to it [7]. This system includes an embedded e-SOS (electronic Save Our Souls) system with an ultrasonic sensor and Arduino UNO. The system helps the individual with the others through video call. It works based on android application [8].

This model develops with the module consists of two ping sensors. CMP compass sensor 511 is used to give information about the direction of wind flow. The output is sent as the sound, and the buzzer activates within the range of 3cm-150cm when the obstacle is detected with a speed of 0.3 sec [9]. This model combines the three sensors Ultrasonic sensor, a Force sensor and a pressure sensor. The force sensor is attached to the individual shoe, measuring the distance between the stick and shoe. The pressure sensor helps to walk the individual if the individual lost the grip on the stick handle. This trio makes the stick into an assistive one [10].

It is hard to live a life with disabilities. To make blind people smart, so we are implementing so many sensors, which makes it a smart stick, which gives alarm when the user faces any obstacle and gives the audio command through speakers connect-ed by Bluetooth [11].

Travelling from one place to another place is hard for visually challenged people. They will face so many obstacles, stairs and so many crack s etc. IoT paradigm provides a medium between blind and environment. With the help of several sensors [12]. A blind person normally uses a stick for assistance. With the smart walking cane, they will

make independent, and it makes their life easier with the help of GPS and GSM technology useful for them to locate the place easily [13-27].

Proposed Work

Block Diagram

The Block Diagram of the Proposed Work has been explained in figure 1.

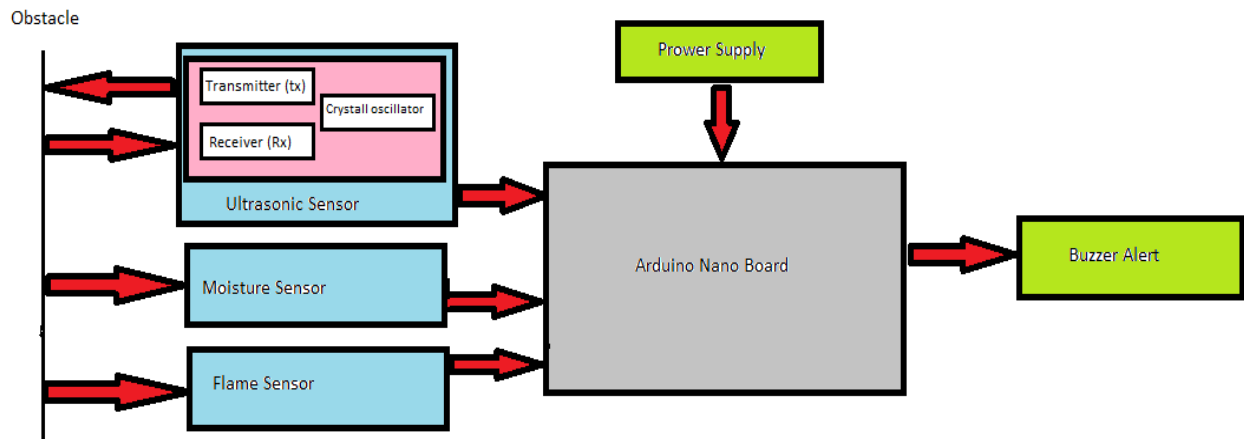


Figure 1. Block Diagram of the Proposed Work

Flow Chart

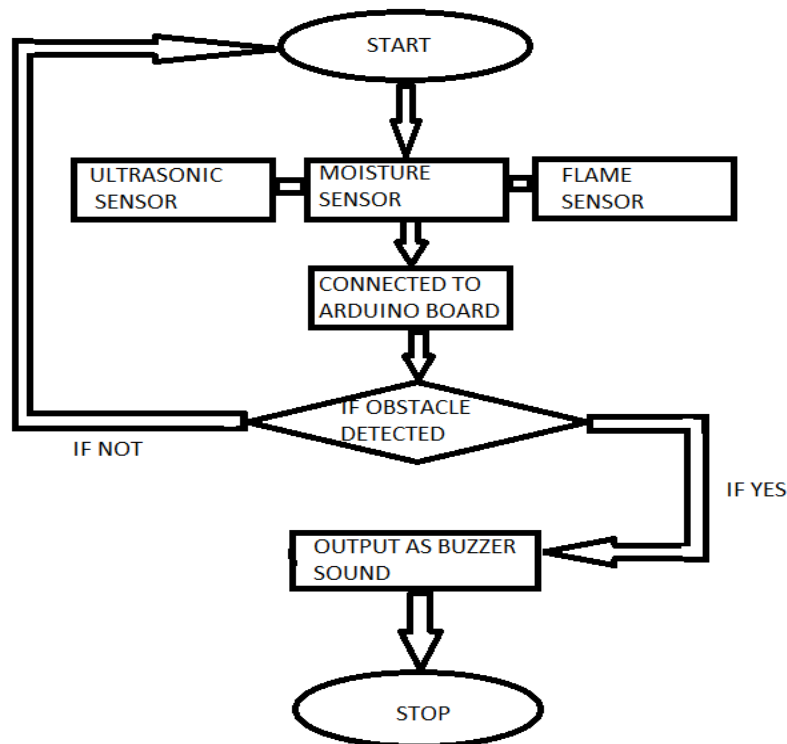


Figure 2. Flow diagram of the Proposed Work

The Flow diagram of the Proposed Work has been mentioned in figure 2.

Flow Chart Description

1. Initialization of the Arduino Nano
 - The power supply is given to the Arduino Nano module from the battery system to power the internal components [28-35].
 - The device's internal components are subjected to initialization for the proper working of all the electronic components [36-41].
2. Once the initialization is done, the sensors remain ON to detect their respective senses from the external environment.
3. Working of Ultrasonic sensor
 - After initialization, the Ultrasonic sensor detects the obstacle in the path and sends those responses to the microcontroller
4. Working of Flame sensor:
 - The flame sensor detects the spectrum of light from the ignition and send the corresponding impulses to the microcontroller.
5. Working of Moisture sensor:
 - The moisture sensor detects moisture present on the path and carry these responses to the microcontroller.
 - Detection and Authentication
 - Once the microcontroller gets the signals from the sensors, the microcontroller started to identify the type of obstacle.
 - Then the signal went for processing with the code.
 - The microcontroller analyzes the type of obstacle with the help of the respective code.
6. Sending the Status:
 - The microcontroller coding section consists of blocks of code.
 - If the specific block of code gave the output response to the microcontroller.
7. Last Step:
 - The microcontroller sends the alert note to the individual through the memory module.

Arduino Uno for Smart Stick

The designed smart cane consists of Arduino UNO, which helps for the fast pro-cessing of signals and interfaces the input and output devices. That Arduino UNO Nano is the smallest board which is based on ATMEGA328 microcontroller [42-49].

When the blind person is walking with the stick, the stick senses the obstacles with the help of an ultrasonic sensor and sends the stimulations to the microcontroller. Here, the microcontroller grasps it and then analyses the obstacle type and responds to the obstacle sensation with a response. The response is through two ways. One is in the form of vibration, and the other is in the form of voice, which is the speaker's output. The individual can sense the vibration with a handle of a stick [50-58].

The uneven surfaces and stairs are perfectly identified by this method with high precision. For this purpose, we are using 8 sensors that cover 360 degrees around the stick. It identifies up and downstairs and tells the individual about the particular stair type and its dimensions [59-67].

To detect the water level and recognize the pool on the ground, we are including the water level indicator in this project. Whenever the stick is placed on the water, it automatically senses and gives some vibrations. We use the flame sensor in the stick to detect the fire if the stick approaches near to fire. The sensor automatically de-tects it and indicates the individual [68-75].

Overview Arduino Uno Nano Module

The Arduino UNO Nano is a microcontroller of ATMEGA328p that belongs to the Arduino family, and it resembles almost like the Arduino Duemilanove board; it is very little weight. These traits made it to use in embedded systems, electronic projects, and robotics [76-89]. It is provided with a mini-USB jack, and it supports three modes of communication like USART, SPI & IIC. We can design our code in this module, and it supports various types of programming languages, as shown in figure 3.

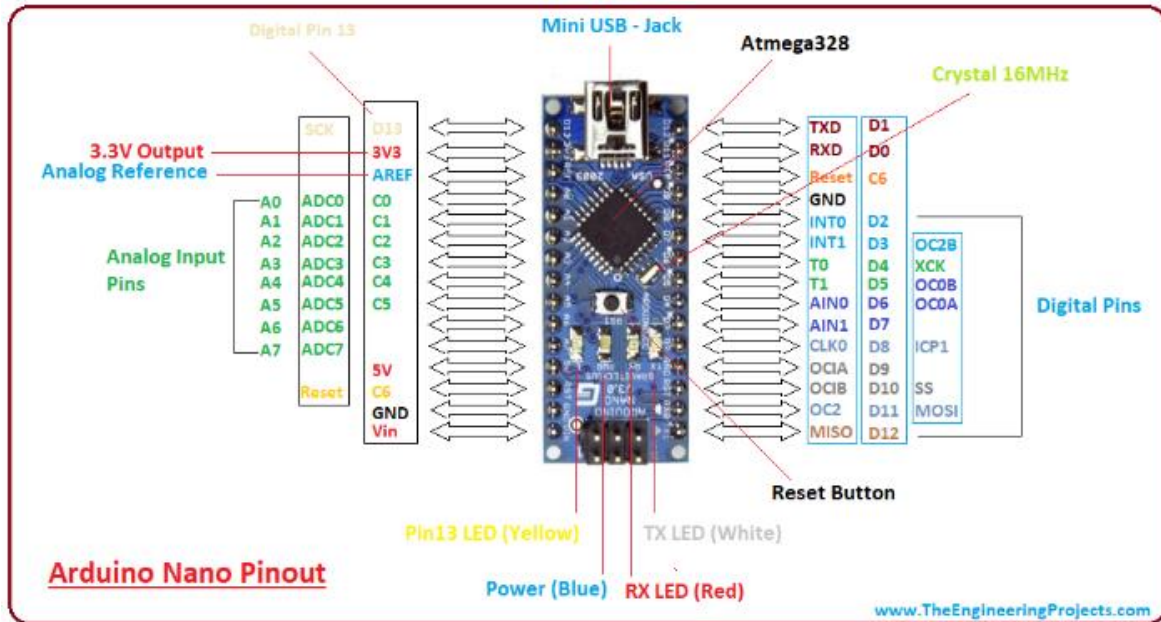


Figure 3. Arduinoino Uno Pinout Diagram

Overview of Ultra-Sonic Sensor

This device senses the distance of objects. The ultrasonic sensor is extendable proximity sensors. We can able to extend the range of a sensor according to project requirement. It radiates the ultrasonic waves and grasps the range of the object. It is used in a vast number of projects for object range detection. It sends to the respective CPU like microcontroller and microprocessor after transforming it to an electrical signal. We can calculate the range of an object and sensor using formula $R=0.5XTXS$ (where R is Range, T is Time and S is the speed of sound in m/s). This sensor consists of two nodes for transmitter purposes and the other for receiver purposes. The transmitter transmits the UV rays, and the object is hit by the UV rays reflected towards the sensor in the opposite is grasped by the receiver. The receiver sends the corresponding signals to the microcontroller. For detecting some transparent objects, especially where the optical technologies may fail, there is a great scope for ultrasonic sensors. It requires very little power when compared to other sensors for its operations, as shown in figure 4.



Figure 4. Ultrasonic Sensor

Overview of PIR Sensor

A flame sensor can detect the light from the flame. It is based on the wavelength mechanism. The light from the ignition emits within a certain range. The flame sensor responds to the wavelength by sensing it. Technically, the receiver of this sensor using the electromagnetic radiation principle. The sensor's response is very fast, 3-4 secs; it absorbs the radiation from the sensor and responds to it. The Accuracy of the sensor can be adjustable like an ultrasonic sensor. Flame sensor operation is very accurate and quick compared to smoke and thermal sensors, as shown in figure 5.



Figure 5. PIR Sensor

Overview of Moisture Sensor

It is used to analyze the water present in the ground. The sensor is placed at the bottom of the stick; if the moisture content is high on the ground, it alarmed the microcontroller by sending the impulses. Generally, the moisture level sensors are vastly used for irrigation purposes. It measures the moisture content in the soil, and now here we are using it to absorb the moisture in the ground and send the responses to the processing unit. The water senses the water level, and moisture indicates the presence of moisture and water on land. So, this sensor is more preferable to a water level sensor in this type of projects, as shown in figure 6.

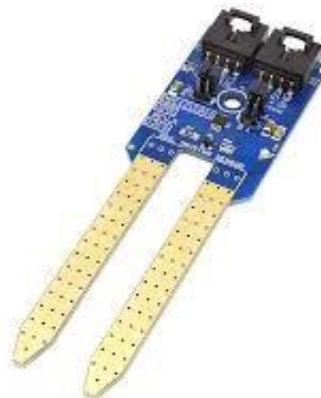


Figure 6. Moisture Sensor

Result and Discussion

Python language is one of the versatile languages which consists of numerous key-words. This makes it comfortable to code and also reduce the unnecessary arguments in the code. Hence, we use python language for coding. Before starting the coding process, the user needs to configure Arduino NANO. The user starts to code the pro-gram in the Arduino software. The communication happens with the STK500 proto-col within the microcontroller. The various sensors embedded in the cane senses those respective signals and retransform those signals into the electrical form.

The microcontroller consists of various files and pre-library functions related to those responses from sensors. It analyzes the incoming inputs from various sensors and sends the corresponding signals to the output, as shown in figures 7 and 8.



Figure 7. The Smart Stick



Figure 8. Device detecting the flame and alerting the user

Conclusion and Future Work

Every individual in the world has to lead their life. Comfortably. But, some of them lack their activities due to defects. We can overcome this with the usage of technology. We made everyone leading their life independently. This device makes every blind individual can do their routines by themselves. They can able to go to their destinations easily through this device. The smart stick lightweight, portable to use, affordable in price, and a nature-friendly device. This device is very effective and unique among all the implementation of smart guidance devices. It covers 180 degrees of an individual, senses each obstacle, and provides an immediate response to the individual. In addition to it, it has some special sensors which guide and protects from accidents. We developed it based on the python programming language. We can apply deep neural networks to the project for machine learning purposes.

References

- [1] Manikandan Shanmugam, John Victor, Mayank Gupta and K. Saravanakumar, "Smart Stick for Blind People", *National Conference on Emerging Trends in Information Technology (EIT-17)* Organized by Department of Computer.
- [2] K. Lakshmi, S.R. Cibisakaravathi, K. Harsha Varthini, N. Loganathan, N. Chandrasekharan, R. Hari Priyanga "smart stick for Visually Impaired people", *6th Internal conference on Advanced Computing and Communication systems* on March 6, 2020.
- [3] A. Satam, Ihab Al-Hamadani, Mokhaled Ahmed and Alaa, "Design and Implement A Smart Blind Stick", *Journal of Advanced Research in Dynamical and Control Systems*, vol. 11, pp. 42-47, 2019.
- [4] W. Elmannai and K. Elleithy, "Sensor-Based Assistive Devices for Visually-Impaired People: Current Status Challenges and Future Directions", *Sensors (Basel)*, vol. 17, no. 3, Mar. 2017.
- [5] Ankitha Paul, Chandra Mukherjee, Sohini Dey, Nawitha Dey, Pritha Gosh, Rahul De, "Ultrasonic Sensor-Based Smart Blind Stick", Published in *International Conference on Current Trends towards Converging Technologies* on March 1, 2018.
- [6] A. K. M.K. Muriel Pinto, Rose Denzil Stanley, Sheetal Malaga and K. Veena Parvathi, "Smart Cane for the Visually Impaired", *Am. J. Intell. Syst.*, vol. 7, no. 3, pp. 73-76, 2017.
- [7] Ahmed F.Seddik, Ayat A.Nada, Mahmoud A.Fakhr, "AssistiveInfrared sensor-based smart stick for blind people", *Science and Information Conference* on July 28, 2015.
- [8] Subham Rout, Tanish Saxena, Saurav Mohapatra, Yepuganti karuna, Varun Tripathi, " Smart Walking stick for Blind Integration with SOS Navigation System ", on May 28, 2018.
- [9] Gita Indah Haspri, Ramanta Rijalul, Giva Andriana Mutiana, " Smart guide extension for blind cane", published on 4th *International Conference on Information and Communication Technology* on September 22, 2016.
- [10] M. Rajesh, Srinidhi Srinivasan, "Smart walking stick", *International Conference on Trends in Electronics and Informatics* on October 10, 2019.
- [11] A. Nada, S. Mashali, M.A. Fakhr and A.F. Seddik, "Effective Fast Response Smart Stick for Blind People", Second Intl. Conf. on Advances in Bio-Informatics and Environmental Engineering - ICABEE 2015, April 2015.
- [12] K.B. Swain, R.K. Patnaik, S. Pal, R. Rajeswari, A. Mishra and C. Dash, "Arduino Based Automated Stick Guide for a Visually Impaired Person", *IEEE International Conference on Smart Technologies and Management for Computing Communication Controls Energy and Materials (ICSTM)*, August 2017.
- [13] R. Radhika, P.G. Pai, S. Rakshita and R. Srinath, "Smart Stick for the Blind: A Complete Solution to Reach the Destination", *International Journal of Modern Trends in Engineering and Research (IJMTER)*, vol. 3, no. 2, pp. 659-662, February 2016.
- [14] U. Zulfiqar, S. Mohy-Ul-Din, A. Abu-Rumman, A.E.M. Al-Shraah, and I. Ahmed, "Insurance-Growth Nexus: Aggregation and Disaggregation," *The Journal of Asian Finance, Economics and Business*, vol. 7, no. 12, pp. 665-675, Dec. 2020. <https://doi.org/10.13106/jafeb.2020.vol7.no12.665>
- [15] Wisetsri, W. (2017). SPORNOSEXUAL: Self-Esteem theory, present body characteristics by online media. *Research and Development Journal Suan Sunandha Rajabhat University*, 9(2): 24- 33.
- [16] Al-Shqairat, Z.I., Al Shraah, A.E.M., Abu-Rumman, A., "The role of critical success factors of knowledge stations in the development of local communities in Jordan: A managerial perspective," *Journal of management Information and Decision Sciences*, vol. 23, no.5, pp. 510-526, Dec. 2020. DOI: 1532-5806-23-5-218

- [17] Vijai C.& Wisetsri, W. (2021). Rise of Artificial Intelligence in Healthcare Startups in India. *Advances In Management*. 14(1) March (2021):48-52.
- [18] Manne, R., & Kantheti, S.C. (2021). Application of Artificial Intelligence in Healthcare: Chances and Challenges. *Current Journal of Applied Science and Technology*, 40(6), 78-89. <https://doi.org/10.9734/cjast/2021/v40i631320>
- [19] U. Naseem, S.K. Khan, M. Farasat, and F. Ali, "Abusive Language Detection: A Comprehensive Review," *Indian Journal of Science Technology*, vol. 12, no. 45, pp. 1-13, 2019.
- [20] Alessio Faccia, Narcisa Roxana Moşteanu, Luigi Pio Leonardo Cavaliere, G Santis, The rise of online banks in Italy "WIDIBA Bank" Case Study, *Financial Markets, Institutions and Risks*, (2020), Volume 4, Issue (2), pages 80-97, [https://doi.org/10.21272/fmir.4\(2\).80-97.2020](https://doi.org/10.21272/fmir.4(2).80-97.2020).
- [21] U. Naseem, I. Razzak, S.K. Khan, and M. Prasad, "A Comprehensive Survey on Word Representation Models: From Classical to State-Of-The-Art Word Representation Language Models," arXiv preprint arXiv:15036, 2020.
- [22] Narcisa Roxana Mosteanu, Digital University Campus–Change the Education System Approach To Meet The 21st Century Needs, *European Journal of Human Resource Management Studies* (2020), Volume 4, Number 4, DOI: <http://dx.doi.org/10.46827/ejhrms.v4i4.959>
- [23] U. Naseem, M. Khushi, S.K. Khan, K. Shaukat, and M.A. Moni, "A Comparative Analysis of Active Learning for Biomedical Text Mining," *Applied System Innovation*, vol. 4, no. 1, p. 23, 2021
- [24] Rao Tahir Anees, Nordiana Ahmad Nordin, Temoor Anjum, Luigi Pio Leonardo Cavaliere, Petra Heidler, Evaluating the Impact of Customer Relationship Management (CRM) Strategies on Customer Retention (A Study of Fast Food Chains in Pakistan), *Business Management and Strategy*, (2020), Volume 11, Number 2, pages 117-133, doi:10.5296/bms.v11i2.17934
- [25] U. Naseem, S. K. Khan, I. Razzak, and I. A. Hameed, "Hybrid words representation for airlines sentiment analysis," in Australasian Joint Conference on Artificial Intelligence, 2019, pp. 381-392: Springer.
- [26] Rao Tahir Anees, Valliappan Raju, Luigi Pio Leonardo Cavaliere, Petra Heidler, Nordiana Ahmad Nordin, The Effect of Emotional Intelligence And Market Orientation on Sales Performance: The Moderating Role of Entrepreneurial Orientation, *PalArch's Journal of Archaeology of Egypt/Egyptology*, (2020), Volume 7, Number 7, pages 6377-6397, <https://www.archives.palarch.nl/index.php/jae/article/view/2975>
- [27] S.K. Khan, M. Farasat, U. Naseem, and F. Ali, "Performance evaluation of next-generation wireless (5G) UAV relay," *Wireless Personal Communications*, vol. 113, no. 2, pp. 945-960, 2020.
- [28] Ahmed Eltweri, The forthcoming chapter of accountancy using Blockchain, *The International EFAL-IT BLOG Information Technology innovations in Economics, Finance, Accounting, and Law*, Volume 1 – Issue 7/2020 – Bacau (Romania).
- [29] S.K. Khan, M. Farasat, U. Naseem, and F. Ali, "Link-level Performance Modelling for Next-Generation UAV Relay with Millimetre-Wave Simultaneously in Access and Backhaul," *Indian Journal of Science Technology*, vol. 12, no. 39, pp. 1-9, 2019.
- [30] Ahmed Eltweri, Social and Environmental Responsibility Effect on a Company's Financial Performance, 2020.
- [31] S.K. Khan et al., "UAV-aided 5G Network in Suburban, Urban, Dense Urban, and High-rise Urban Environments," in 2020 *IEEE 19th International Symposium on Network Computing and Applications (NCA)*, 2020, pp. 1-4: IEEE.
- [32] Narcisa Roxana Moşteanu, Financial investments' challenges in 2020–time for education and professional development, *The International EFAL-IT BLOG Information Technology innovations in Economics, Finance, Accounting, and Law*, Volume 1 – Issue 7/2020 – Bacau (Romania).

- [33] S.K. Khan, U. Naseem, H. Siraj, I. Razzak, and M.J.I.W.C. Imran, "The role of unmanned aerial vehicles and mmWave in 5G: Recent advances and challenges," *Transactions on Emerging Telecommunications Technologies*, p. e4241.
- [34] Luigi Pio Leonardo Cavaliere, Julián Andrés Díaz Tautiva, Camila Barragán, Saad Uddin Khan, Analyzing The Pattern And Relative Importance of Remittance Sources of Pakistan, *International Journal of Management (IJM)*, Volume 12, Issue 1, January 2021, pp.879-888, DOI:10.34218/IJM.12.1.2021.078
- [35] Snehal Y. Hole, Luigi Pio Leonardo Cavaliere, Caterina De Lucia, India's Coastline Can Become an Engine of Growth: *An Economic Overview, Psychology and Education Journal*, 2021, Volume 58, Number 1, pages 2158-2167, DOI: <https://doi.org/10.17762/pae.v58i1.1093>
- [36] Caterina De Lucia, Luigi Pio Leonardo Cavaliere, Ester Salvato, Alessio Faccia, Growth Effects of Remittance: A Case of Turkey Diaspora, *Psychology and Education Journal*, 2021, Volume 58, Number 1, pages 690-698, DOI: <https://doi.org/10.17762/pae.v58i1.819>
- [37] Pandya, S.; Ambient Acoustic Event Assistive Framework for Identification, Detection, and Recognition of Unknown Acoustic Events of a Residence, *Advanced Engineering Informatics*. Elsevier. (<http://www.sciencedirect.com/science/article/pii/S147403462030207X>)
- [38] D.S. Hooda, Keerti Upadhyay and D.K. Sharma, "On Parametric Generalization of 'Useful' R- norm Information Measure" *British Journal of Mathematics & Computer Science*, Vol. 8(1), pp. 1-15, 2015.
- [39] Ghayvat, H.; Pandya, S.; Awais, M. Recognizing Suspect and predicting the spread of Contagion Based on Mobile Phone Location Data (COUNTERACT): A System of identifying COVID-19 infectious and hazardous sites, detecting disease outbreaks based on internet of things, edge computing and artificial intelligence, *Sustainable Cities and Society*
- [40] D.S. Hooda, Keerti Upadhyay and D.K. Sharma, "A Generalized Measure of 'Useful R-norm Information'", *International Journal of Engineering Mathematics and Computer Sciences*, Vol 3(5), pp.1-11, 2014.
- [41] Pandya S, Wakchaure MA, Shankar R, Annam JR. Analysis of NOMA-OFDM 5G wireless system using deep neural network. *The Journal of Defense Modeling and Simulation*. 2021. doi:10.1177/1548512921999108
- [42] D.S. Hooda, Keerti Upadhyay and D.K. Sharma, "Bounds on Cost Measures in terms of 'Useful' R-norm Information Measures" *Direct Research Journal of Engineering and Information Technology*, Vol.2 (2), pp.11-17, 2014.
- [43] Awais, M.; Ghayvat, H.; Krishnan Pandarathodiyil, A.; Nabillah Ghani, W.M.; Ramanathan, A.; Pandya, S.; Walter, N.; Saad, M.N.; Zain, R.B.; Faye, I. Healthcare Professional in the Loop (HPIL): Classification of Standard and Oral Cancer-Causing Anomalous Regions of Oral Cavity Using Textural Analysis Technique in Autofluorescence Imaging. *Sensors*, 2020, 20, 5780. <https://doi.org/10.3390/s20205780>
- [44] D.S. Hooda and D.K. Sharma, "Lower and Upper Bounds Inequality of a Generalized 'Useful' Mean Code Length" *GAMS Journal of Mathematics and Mathematical Biosciences*, Vol. 4(1), pp.62-69, 2013.
- [45] Patel, C.I.; Labana, D.; Pandya, S.; Modi, K.; Ghayvat, H.; Awais, M. Histogram of Oriented Gradient-Based Fusion of Features for Human Action Recognition in Action Video Sequences. *Sensors* 2020, 20, 7299. <https://doi.org/10.3390/s20247299>
- [46] D.S. Hooda, Keerti Upadhyay and D.K. Sharma, 'Useful' R-Norm Information Measure and its Properties" *IOSR Journal of Electronics and Communication Engineering*, Vol. 8, pp. 52-57, 2013.
- [47] D Datta, S Mishra, SS Rajest, (2020) "Quantification of tolerance limits of engineering system using uncertainty modeling for sustainable energy" *International Journal of Intelligent Networks*, Vol.1, 2020, pp.1-8, <https://doi.org/10.1016/j.ijin.2020.05.006>
- [48] Leo Willyanto Santoso, Bhopendra Singh, S. Suman Rajest, R. Regin, Karrar Hameed Kadhim (2021), "A Genetic Programming Approach to Binary Classification Problem" *EAI Endorsed Transactions on Energy*, Vol.8, no. 31, pp. 1-8. DOI: 10.4108/eai.13-7-2018.165523

- [49] Ghayvat, H.; Awais, M.; Pandya, S.; Ren, H.; Akbarzadeh, S.; Chandra Mukhopadhyay, S.; Chen, C.; Gope, P.; Chouhan, A.; Chen, W. Smart Aging System: Uncovering the Hidden Wellness Parameter for Well-Being Monitoring and Anomaly Detection. *Sensors* 2019, 19, 766. <https://doi.org/10.3390/s19040766>.
- [50] D.S. Hooda, Sonali Saxena and D.K. Sharma, "A Generalized R-Norm Entropy and Coding Theorem" *International Journal of Mathematical Sciences and Engineering Applications*, Vol.5(2), pp.385-393, 2011.
- [51] Barot, V., Kapadia, V., & Pandya, S., QoS Enabled IoT Based Low Cost Air Quality Monitoring System with Power Consumption Optimization, *Cybernetics and Information Technologies*, 2020, 20(2), 122-140. doi: <https://doi.org/10.2478/cait-2020-0021>.
- [52] D.S. Hooda and D.K. Sharma, "Bounds on Two Generalized Cost Measures" *Journal of Combinatorics, Information & System Sciences*, Vol. 35(3-4), pp. 513-530, 2010.
- [53] K.K.D. Ramesh, G. Kiran Kumar, K. Swapna, Debabrata Datta, and S. Suman Rajest, "A Review of Medical Image Segmentation Algorithms", *EAI Endorsed Transactions on Pervasive Health and Technology*, 2021, doi: 10.4108/eai.12-4-2021.169184
- [54] R. Regin, S. Suman Rajest and Bhopendra Singh, "Fault Detection in Wireless Sensor Network Based on Deep Learning Algorithms", *EAI Endorsed Transactions on Scalable Information Systems*, 2021, <https://eudl.eu/doi/10.4108/eai.3-5-2021.169578>
- [55] Sur, A., Sah, R., Pandya, S., Milk storage system for remote areas using solar thermal energy and adsorption cooling, *Materials Today*, Volume 28, Part 3, 2020, Elsevier, Pages 1764-1770, ISSN 2214-7853, <https://doi.org/10.1016/j.matpr.2020.05.170>.
- [56] D.K. Sharma and D.S. Hooda, "Generalized Measures of 'Useful' Relative Information and Inequalities" *Journal of Engineering, Management & Pharmaceutical Sciences*, Vol.1(1), pp.15-21, 2010.
- [57] H. Ghayvat, Pandya, S., and A. Patel, "Deep Learning Model for Acoustics Signal Based Preventive Healthcare Monitoring and Activity of Daily Living," *2nd International Conference on Data, Engineering and Applications (IDEA)*, Bhopal, India, 2020, pp. 1-7, doi: 10.1109/IDEA49133.2020.9170666
- [58] D.S. Hooda and D.K. Sharma (2010) "Exponential Survival Entropies and Their Properties" *Advances in Mathematical Sciences and Applications*, Vol. 20, pp. 265-279, 2010.
- [59] Pandya, S., Shah, J., Joshi, N., Ghayvat, H., Mukhopadhyay, S.C. and Yap, M.H., 2016, November. A novel hybrid based recommendation system based on clustering and association mining. In *Sensing Technology (ICST)*, 2016 10th International Conference on (pp. 1-6). IEEE.
- [60] D.S. Hooda and D.K. Sharma, "Generalized 'Useful' Information Generating Functions" *Journal of Appl. Math. and Informatics*, Vol. 27(3-4), pp. 591-601, 2009.
- [61] Pandya, S., W. Patel, H. Ghayvat, "NXTGeUH: Ubiquitous Healthcare System for Vital Signs Monitoring & Falls Detection", *IEEE International Conference, Symbiosis International University*, December 2018.
- [62] Ghayvat, H., Pandya, S., "Wellness Sensor Network for modeling Activity of Daily Livings Proposal and Off-Line Preliminary Analysis" *IEEE International Conference*, Galgotias University, New Delhi, December 2018.
- [63] D.S. Hooda and D.K. Sharma, "Non-additive Generalized Measures of 'Useful' Inaccuracy" *Journal of Rajasthan Academy of Physical Sciences*, Vol. 7(3), pp.359-368, 2008.
- [64] Pandya, S., Ghayvat, H., Shah, J., Joshi, N., A Novel Hybrid based Recommendation System based on Clustering and Association Mining, *10th IEEE International Conference on Sensing technology and Machine Intelligence (ICST-2016)*, Nanjing, China, November 2016.
- [65] D.S. Hooda and D.K. Sharma, Generalized R-Norm information Measures-*Journal of Appl. Math, Statistics & informatics (JAMSI)*, Vol. 4 No.2, 153-168, 2008.

- [66] Pandya, S., W. Patel, An Adaptive Approach towards designing a Smart Health-care Real-Time Monitoring System based on IoT and Data Mining, 3rd *IEEE International Conference on Sensing technology and Machine Intelligence (ICST- 2016)*, Dubai, November 2016.
- [67] Dilip Kumar Sharma, “*Some Generalized Information Measures: Their characterization and Applications*”, Lambert Academic Publishing, Germany, 2010. ISBN: 978-3838386041.
- [68] Pandya, S., Ghayvat, H., Kotecha, K., Wandra, K., Advanced AODV Approach for Efficient Detection And Mitigation Of WORMHOLE Attack IN MANET, 10th *IEEE International Conference on Sensing technology and Machine Intelligence (ICST-2016)*, Nanjing, China, November 2016.
- [69] Rao, A. N., Vijayapriya, P., Kowsalya, M., & Rajest, S. S. (2020). Computer Tools for Energy Systems. In *International Conference on Communication, Computing and Electronics Systems* (pp. 475-484). Springer, Singapore.
- [70] Gupta J., Singla M.K., Nijhawan P., Ganguli S., Rajest S.S. (2020) An IoT-Based Controller Realization for PV System Monitoring and Control. In: Haldorai A., Ramu A., Khan S. (eds) *Business Intelligence for Enterprise Internet of Things. EAI/Springer Innovations in Communication and Computing*. Springer, Cham
- [71] Sharma M., Singla M.K., Nijhawan P., Ganguli S., Rajest S.S. (2020) An Application of IoT to Develop Concept of Smart Remote Monitoring System. In: Haldorai A., Ramu A., Khan S. (eds) *Business Intelligence for Enterprise Internet of Things. EAI/Springer Innovations in Communication and Computing*. Springer, Cham
- [72] Ganguli S., Kaur G., Sarkar P., Rajest S.S. (2020) An Algorithmic Approach to System Identification in the Delta Domain Using FAdFPA Algorithm. In: Haldorai A., Ramu A., Khan S. (eds) *Business Intelligence for Enterprise Internet of Things. EAI/Springer Innovations in Communication and Computing*. Springer, Cham
- [73] Singla M.K., Gupta J., Nijhawan P., Ganguli S., Rajest S.S. (2020) Development of an Efficient, Cheap, and Flexible IoT-Based Wind Turbine Emulator. In: Haldorai A., Ramu A., Khan S. (eds) *Business Intelligence for Enterprise Internet of Things. EAI/Springer Innovations in Communication and Computing*. Springer, Cham
- [74] Rajasekaran R., Rasool F., Srivastava S., Masih J., Rajest S.S. (2020) Heat Maps for Human Group Activity in Academic Blocks. In: Haldorai A., Ramu A., Khan S. (eds) *Business Intelligence for Enterprise Internet of Things. EAI/Springer Innovations in Communication and Computing*. Springer, Cham
- [75] Bhopendra Singh, S. Suman Rajest, K. Pragmaash, Uppalapati Srilakshmi and R. Regin (2020) Nuclear structure of some even and odd nuclei using shell model calculations. *Proceedings of the 2020 2nd International Conference on Sustainable Manufacturing, Materials and Technologies. AIP Conference Proceedings*, 2020, <https://aip.scitation.org/doi/abs/10.1063/5.0030932>
- [76] S. Suman Rajest, D.K. Sharma, R. Regin and Bhopendra Singh, “Extracting Related Images from E-commerce Utilizing Supervised Learning”, *Innovations in Information and Communication Technology Series*, pp. 033-045, 28 February, 2021.
- [77] Souvik Ganguli, Abhimanyu Kumar, Gagandeep Kaur, Prasanta Sarkar and S. Suman Rajest, “A global optimization technique for modeling and control of permanent magnet synchronous motor drive”, *Innovations in Information and Communication Technology Series*, pp. 074-081, 28 February, 2021.
- [78] Jappreet Kaur, Tejpal Singh Kochhar, Souvik Ganguli and S. Suman Rajest, “Evolution of Management System Certification: An overview”, *Innovations in Information and Communication Technology Series*, pp. 082-092, 28 February, 2021.
- [79] R. Regin, S. Suman Rajest and Bhopendra Singh, “Spatial Data Mining Methods Databases and Statistics Point of Views”, *Innovations in Information and Communication Technology Series*, pp. 103-109, 28 February, 2021.
- [80] K. Sharma, B. Singh, E. Herman, R. Regine, S.S. Rajest and V.P. Mishra, "Maximum Information Measure Policies in Reinforcement Learning with Deep Energy-Based Model," *2021 International Conference on*

- Computational Intelligence and Knowledge Economy (ICCIKE)*, 2021, pp. 19-24, doi: 10.1109/ICCIKE51210.2021.9410756.
- [81] F. Arslan, B. Singh, D. K. Sharma, R. Regin, R. Steffi and S. Suman Rajest, "Optimization Technique Approach to Resolve Food Sustainability Problems," 2021 *International Conference on Computational Intelligence and Knowledge Economy (ICCIKE)*, 2021, pp. 25-30, doi: 10.1109/ICCIKE51210.2021.9410735.
- [82] G.A. Ogunmola, B. Singh, D.K. Sharma, R. Regin, S.S. Rajest and N. Singh, "Involvement of Distance Measure in Assessing and Resolving Efficiency Environmental Obstacles," 2021 *International Conference on Computational Intelligence and Knowledge Economy (ICCIKE)*, 2021, pp. 13-18, doi: 10.1109/ICCIKE51210.2021.9410765.
- [83] Pandya, S., H. Dandvate —New Approach for frequent item set generation based on Mirabit Hashing Algorithm, *IEEE International Conference on Inventive Computation technologies (ICICT)*, 26 August, India, 2016.
- [84] Pandya, S., Patel, W., Mistry, V., i-Msrtrm: Developing an IoT based intelligent Medicare System for Real-time Remote Health Monitoring, 8th *IEEE International Conference on Computational Intelligence and Communications Networks (CICN-2016)*, Tehari, India, 23-25th December 2016.
- [85] Pandya, S., Shah, J., Joshi, N., Ghayvat, H., Mukhopadhyay, S.C. and Yap, M.H., 2016, November. A novel hybrid based recommendation system based on clustering and association mining. In *Sensing Technology (ICST), 2016 10th International Conference on* (pp. 1-6). IEEE.
- [86] Pandya, S., Vyas, D. and Bhatt, D., A Survey on Various Machine Learning Techniques, *International Conference on Emerging trends in Scientific Research (ICETSR-2015)*, ISBN no: 978-81-92346-0-5, 2015.
- [87] Pandya, S., Wandra, K., Shah, J., A Hybrid Based Recommendation System to overcome the problem of sparsity, *International Conference on emerging trends in scientific research*, December, 2015.
- [88] Mehta, P., Pandya, S., A review on sentiment analysis methodologies, practices and applications, *International Journal of Scientific and Technology Research*, 2020, 9(2), pp. 601–609
- [89] Dr. Laxmi Lidiya. S. Suman, Rajest, "Correlative Study and Analysis for Hidden Patterns in Text Analytics Unstructured Data using Supervised and Unsupervised Learning techniques" in *International Journal of Cloud Computing, International Journal of Cloud Computing (IJCC)*, Vol. 9, No. 2/3, 2020.